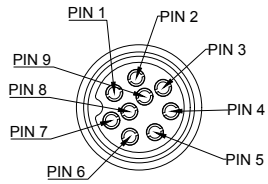


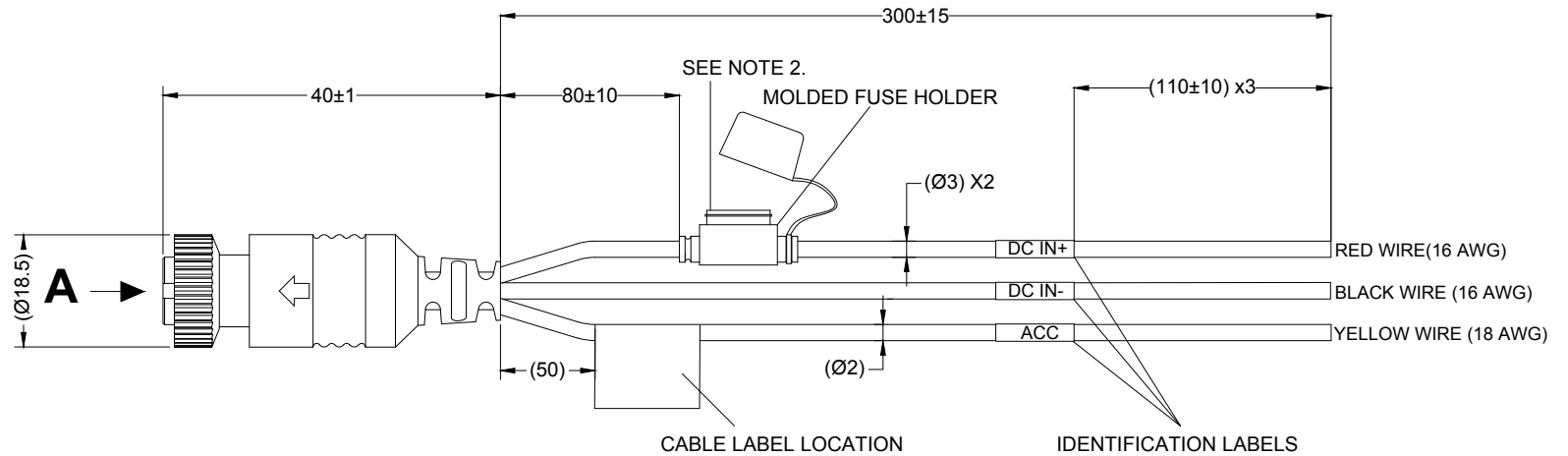
Revision Notes				
-				
APA: -	Drawn:-	Checked:-	Approved:-	Date: -

VIEW A



9-PIN FEMALE MATING FACE

PIN#	COLOUR	DESCRIPTION
1	RED	DC IN+
2	RED	DC IN+
3	YELLOW	ACC
4	N.C	N.C
5	N.C	N.C
6	BLACK	DC IN-
7	BLACK	DC IN-
8	N.C	N.C
9	N.C	N.C



LABEL SPECIFICATIONS

1. ALL LABELS SHOULD BE SILVER.
2. ALL INK SHOULD BE PERMANENT.
3. ALL TEXT PRINTED SHOULD BE 3MM.

NOTES:

1. REFERENCE INSTRUCTION GUIDE FOR FUNCTIONALITY.
2. TWO FUSES ARE PROVIDED - INSERT THE RELEVANT FUSE: 15A FUSE (12V) AND 7.5A (24V) FUSE.
3. FOR CABLE LABEL REFER TO LATEST REVISION OF DRAWING BE-003113-XX-15.
4. ANY CUSTOMER MODIFICATION OF THIS PRODUCT CAUSING SUBSEQUENT FAILURE IS NOT A LIABILITY OF BRIGADE ELECTRONICS GROUP PLC.
5. TO BE SUPPLIED IN CLEAR PLASTIC BAG.

PROPRIETARY NOTICE

THIS DESIGN AND TECHNICAL INFORMATION APPEARING ON THIS DRAWING IS THE PROPERTY OF BRIGADE ELECTRONICS, AND IS DISCLOSED IN CONFIDENCE. IT IS NOT TO BE COPIED, REPRODUCED, REVEALED TO OR EXPROPRIATED BY OTHERS, EITHER IN WHOLE OR IN PART WITHOUT THE EXPRESS WRITTEN CONSENT OF BRIGADE ELECTRONICS.

BRIGADE[®]
www.brigade-electronics.com

Assembly PI Approval P.YANG	Approved by B.JOHN	Checked by R.BATES	Drawn by L.PILLAY
Angle of Projection 	Units mm	Scale N/A	Released 21/07/15
	Status RELEASED	Assembly Ref MDR-400-PC	
	Part No 4878	BE-003098-00-15	